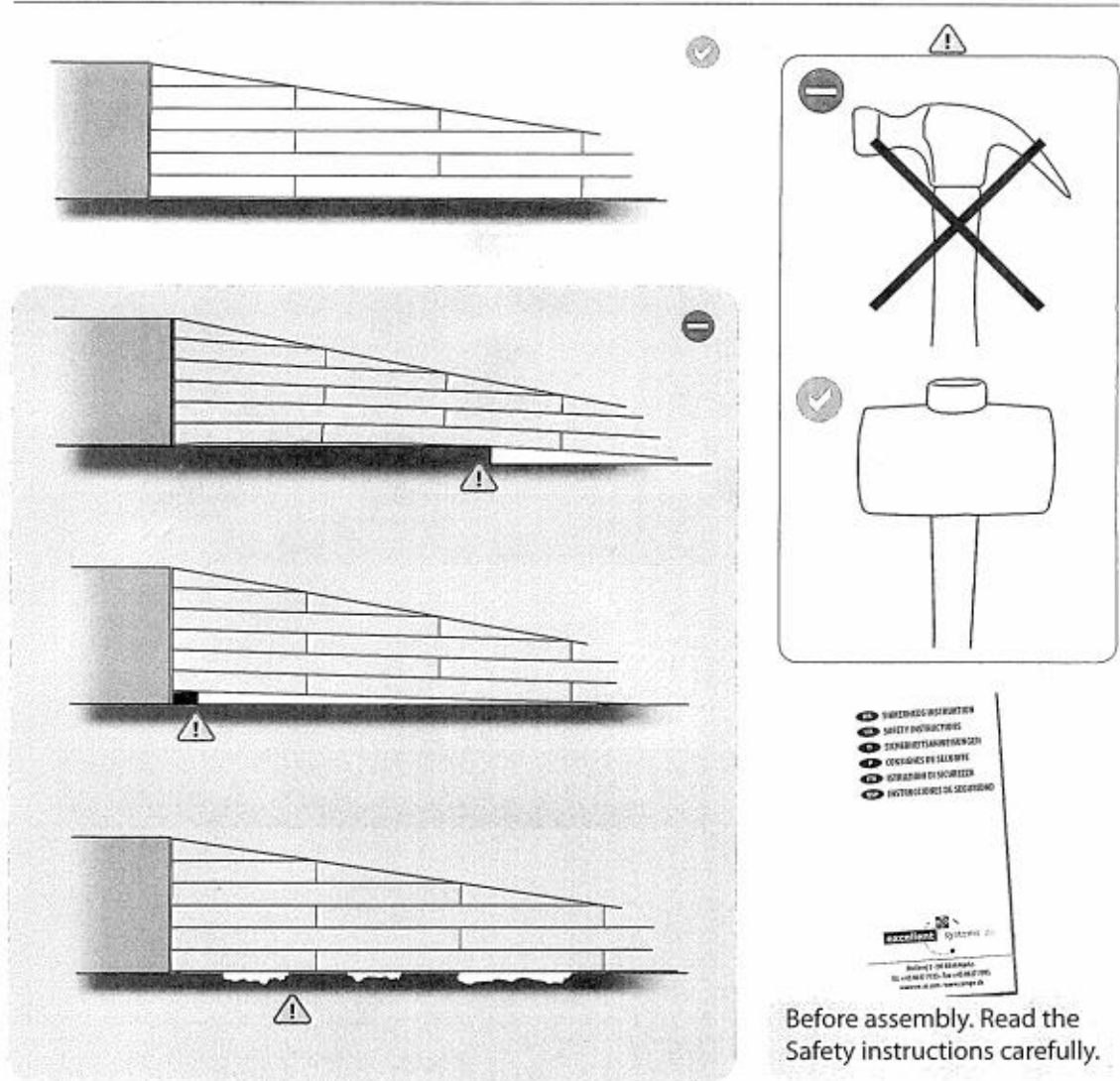
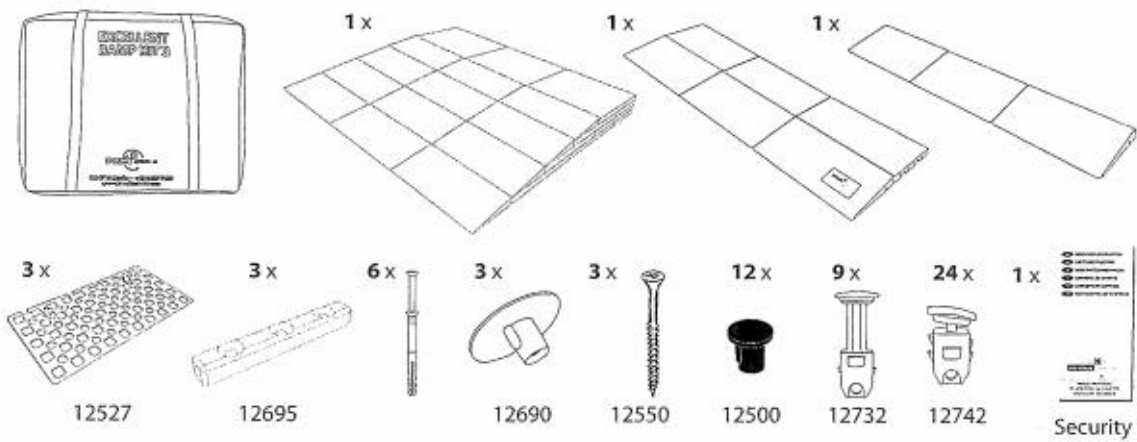
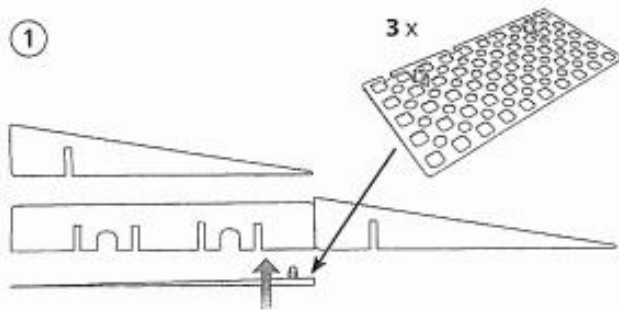


# MONTAGE RAMPE EXCELLENT SYSTEMS

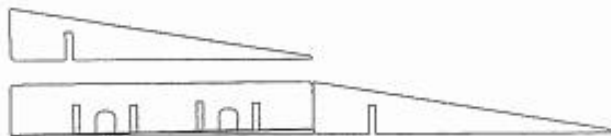


# WHEN THE RAMP IS TOO HIGH

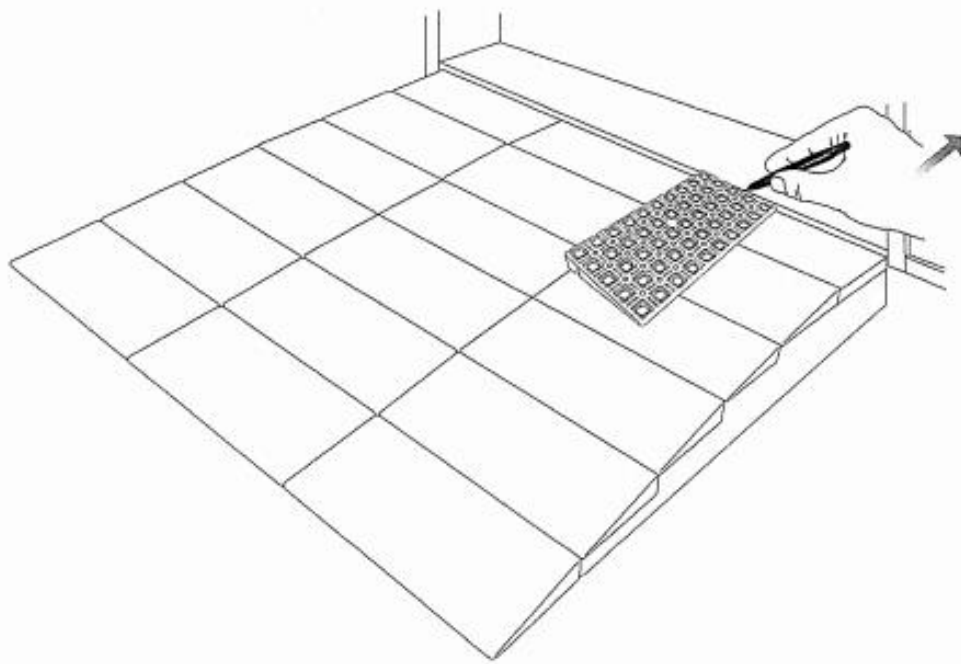
①



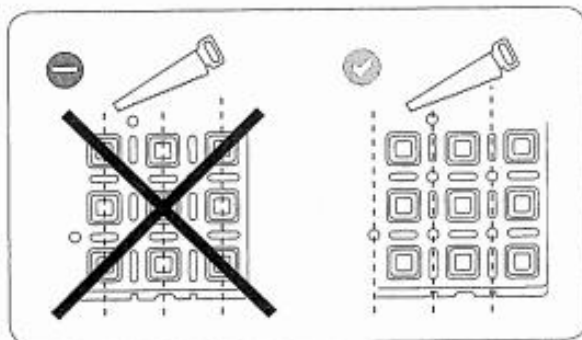
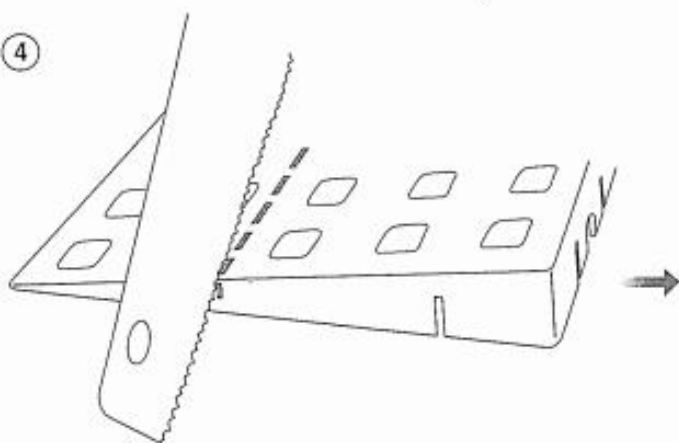
②

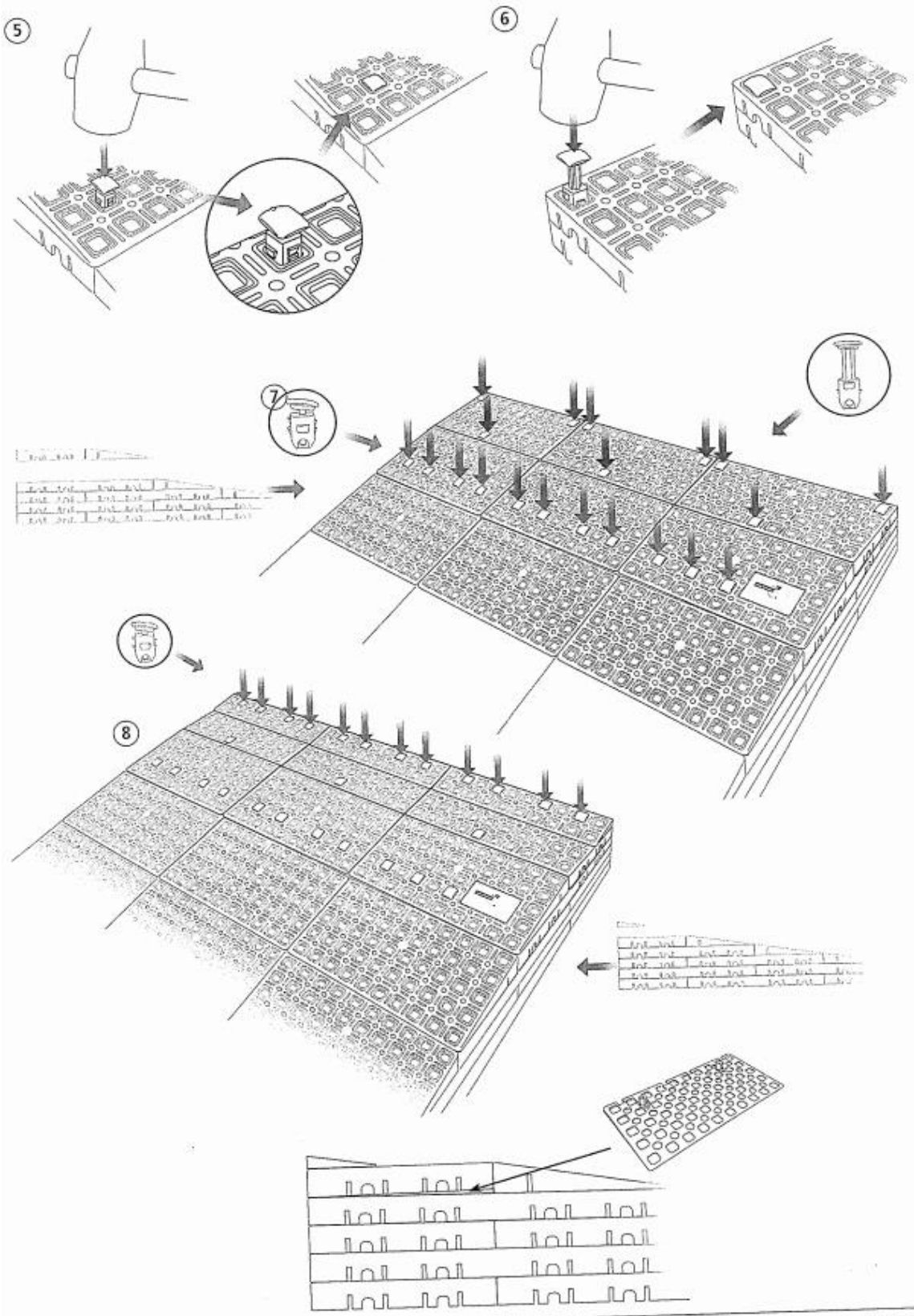


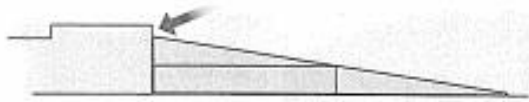
③



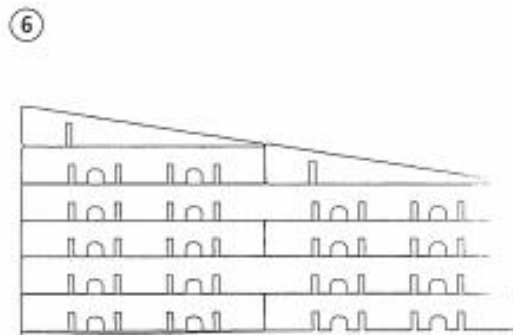
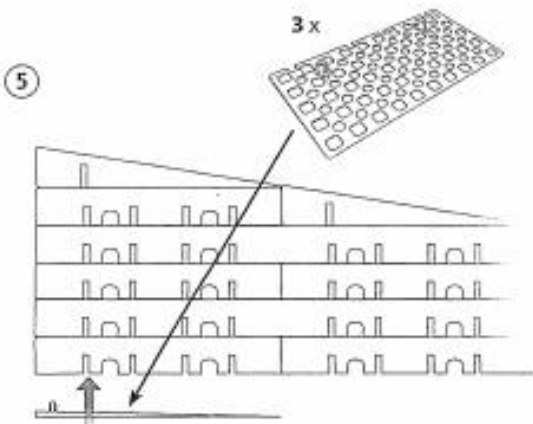
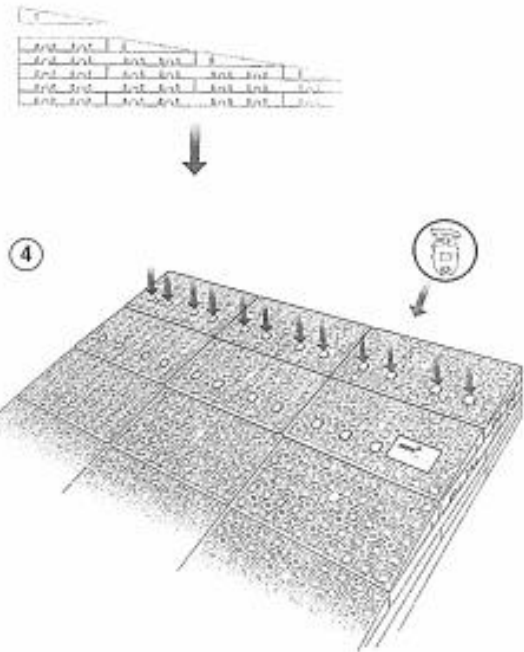
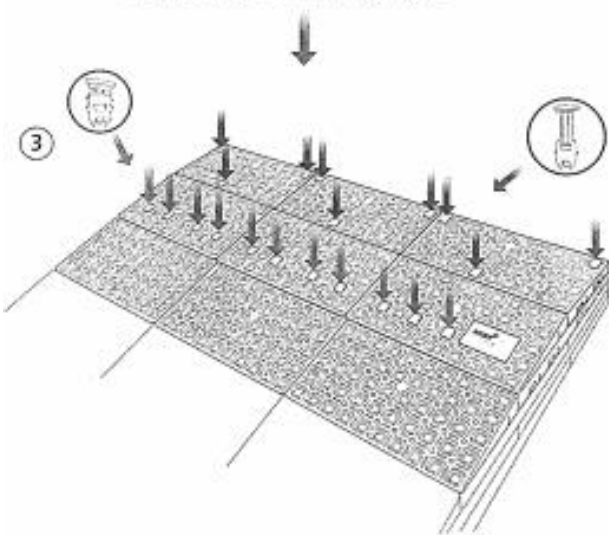
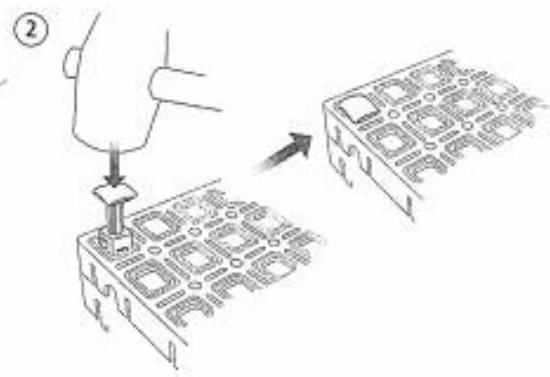
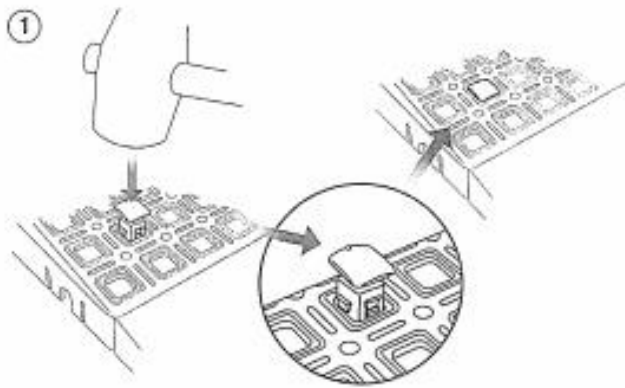
④



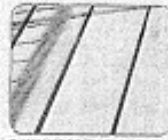




WHEN THE RAMP IS TOO LOW



**FIXING THE RAMP**  
(Screw fasteners required)



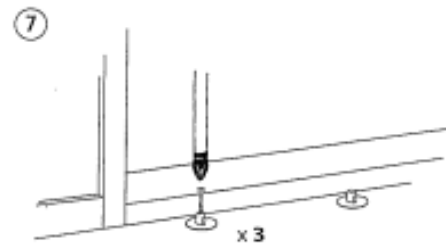
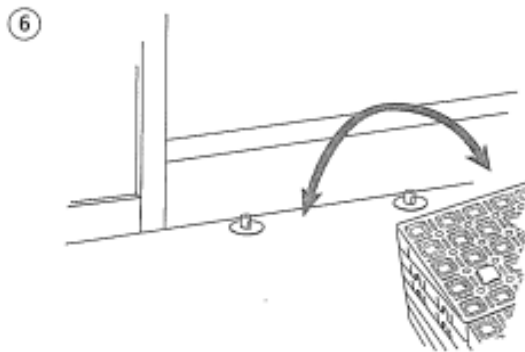
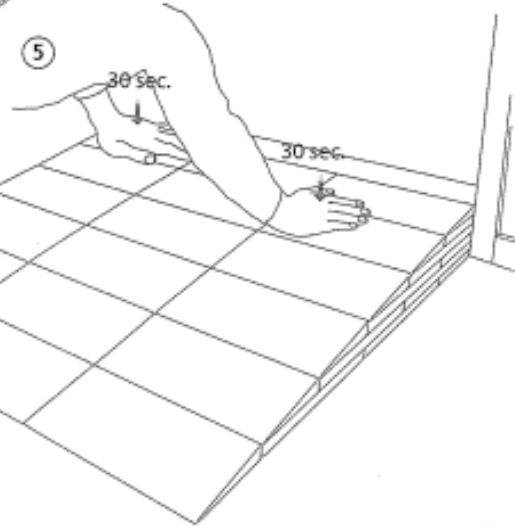
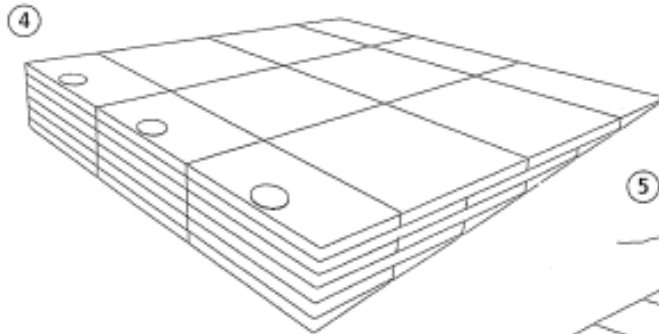
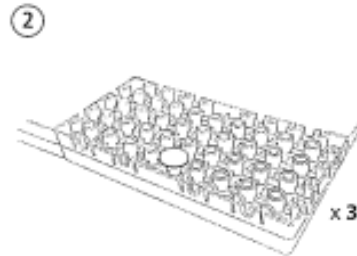
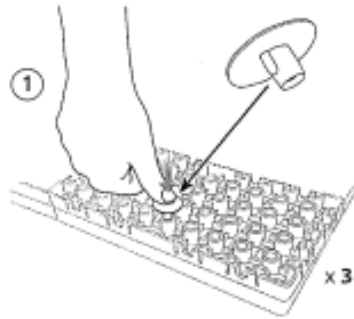
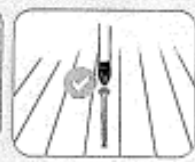
RAW WOODEN FLOOR



CARPET



CONCRETE



**FIXING THE RAMP**  
(Screw fasteners unsuitable)



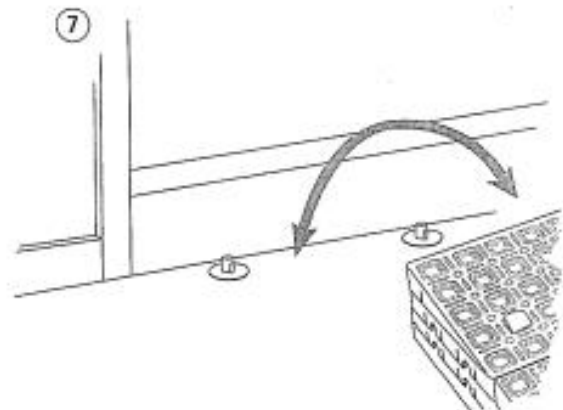
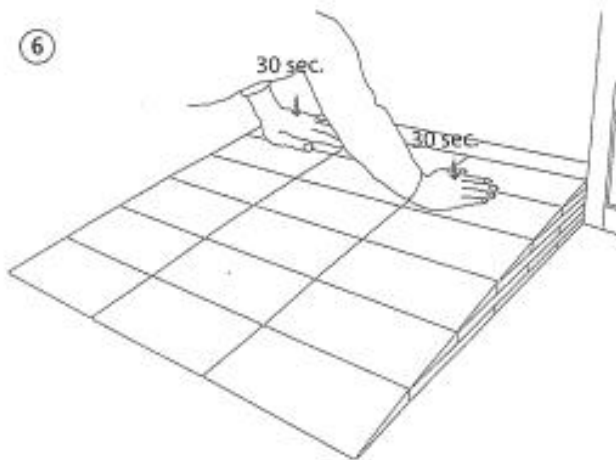
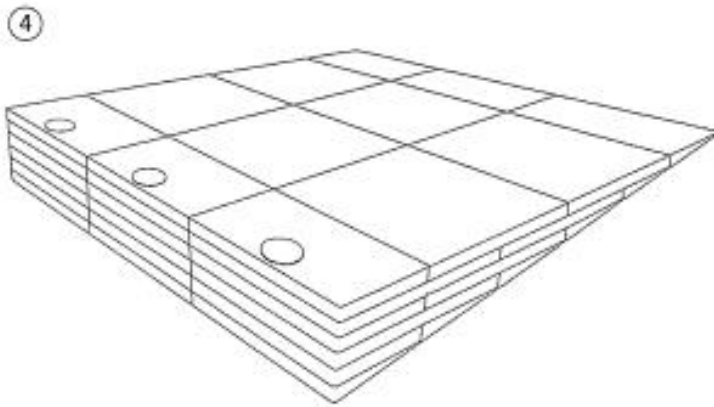
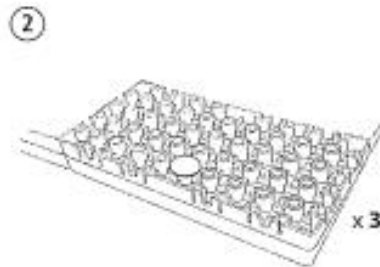
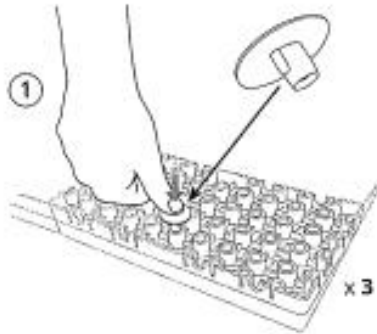
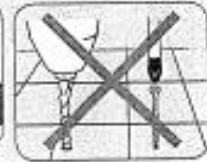
LACQUERED WOODEN FLOOR



CERAMIC TILES



LINOLEUM



**FIXING THE RAMP**  
(Screw fasteners unsuitable)

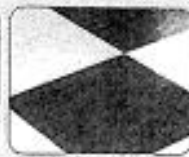
POLISHED / WAXED:



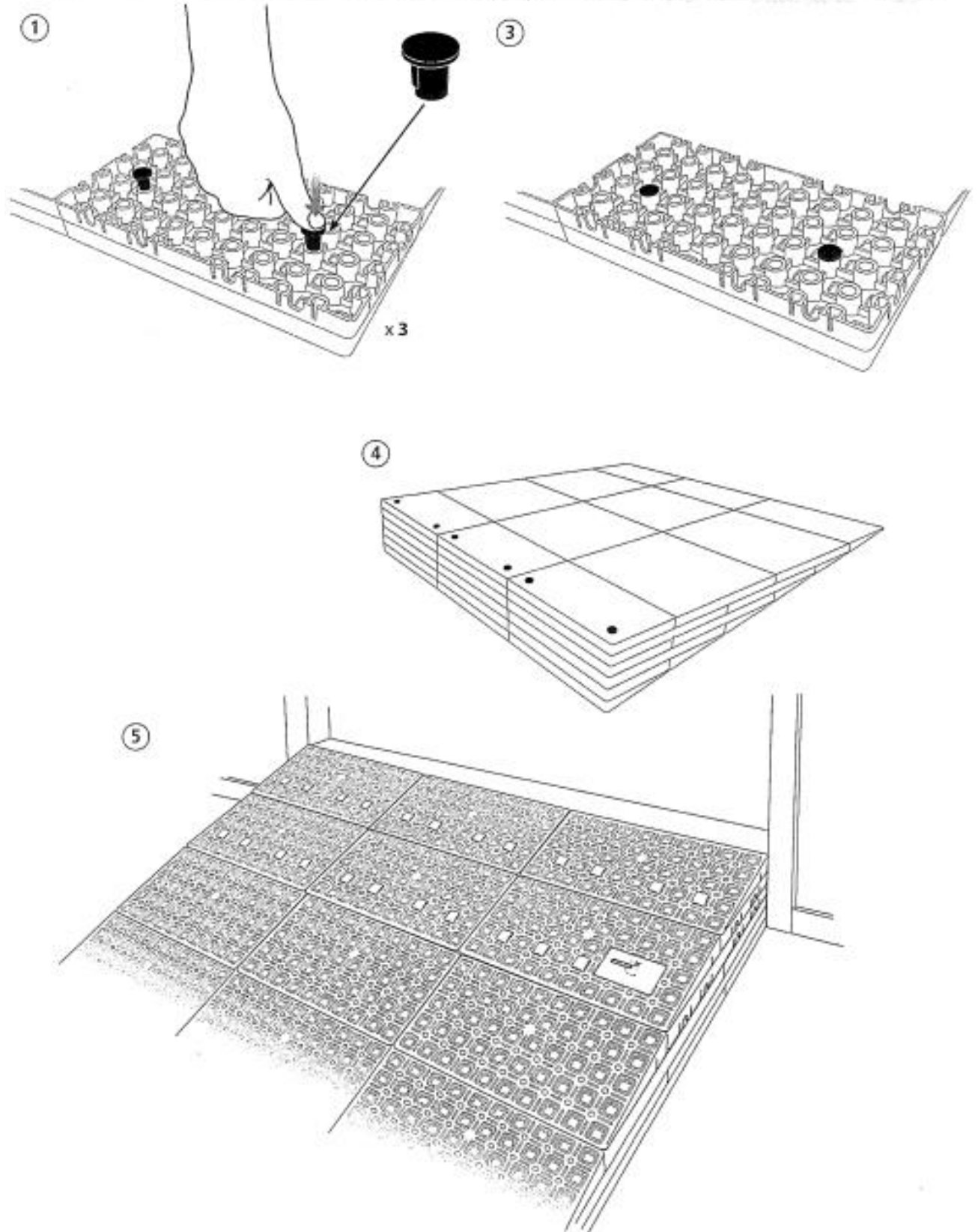
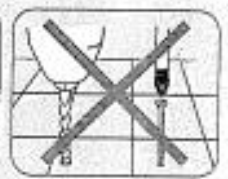
WOODEN FLOOR



CERAMIC TILES



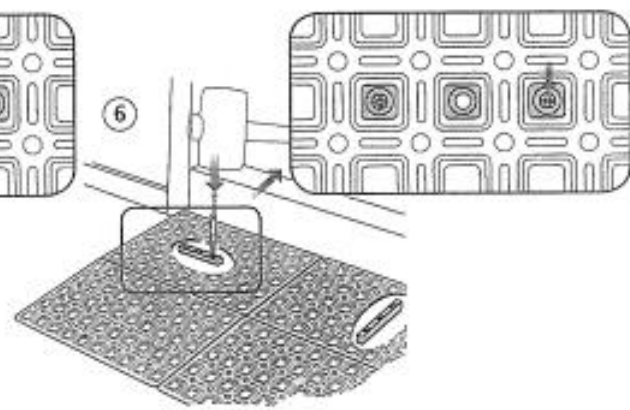
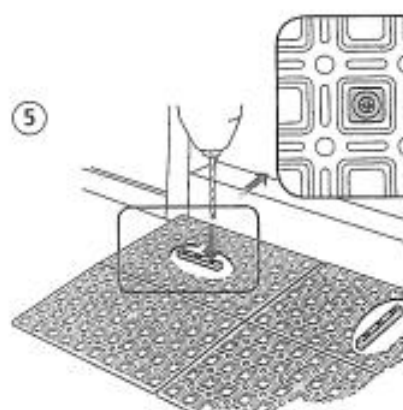
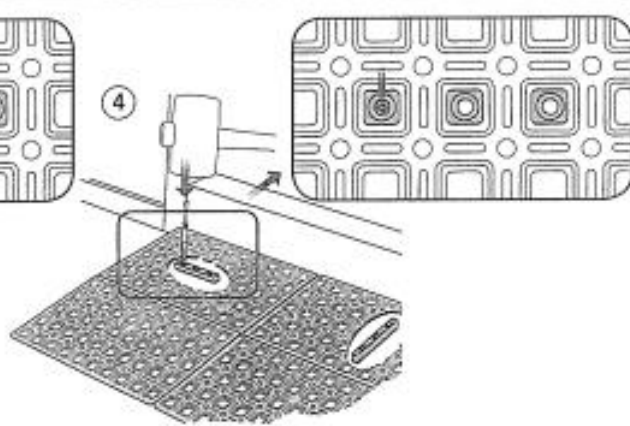
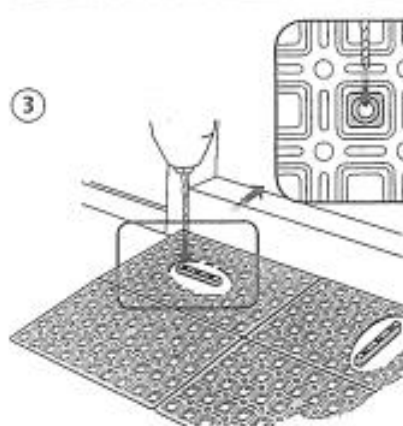
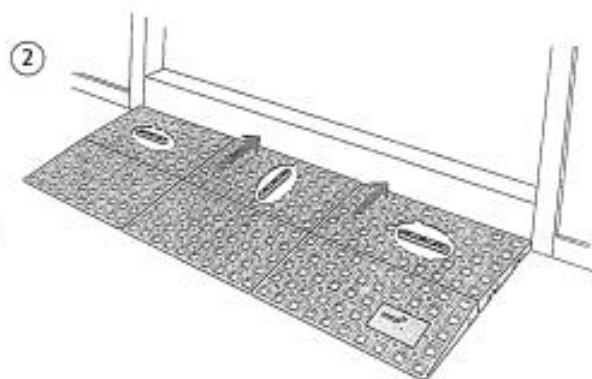
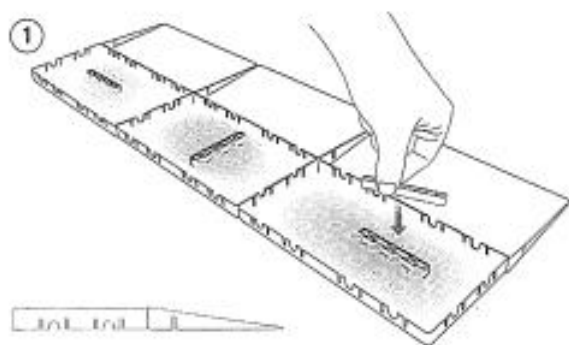
LINOLEUM







## FIXING A RAMP OUTDOOR



Repeat the procedure for  
all 3 Expansion Guides

